



## Improved breaker series features built-in versatility

The latest in Furukawa's small series breaker lineup, the **Fxa Series**, features improvements to three internal components – the piston, cylinder liner and seal retainer. As a result of these changes, the Fxa Series is harder-hitting and increases performance.

The improved piston has a longer stroke length and an increased diameter. The faster speed of the larger piston combined with an increased stroke means greater energy. The modified cylinder liner accommodates the larger piston and decreases the build up of internal heat, while the redesigned seal retainer compensates for higher back-head pressure. As a result, the Fxa breakers offer a large range of carrier mounts.

Select components are interchangeable, allowing you to utilize the same working steel, seal kit and front bushing.

These dependable hammers are available in a variety of mounting configurations enabling them to be easily attached to mini-excavators, skid-steer loaders and rubber-tired backhoes. Performance features and mounting options make these hammers ideal for site preparation, foundation removal, road repair, driveway and sidewalks or pedestrian bridges.

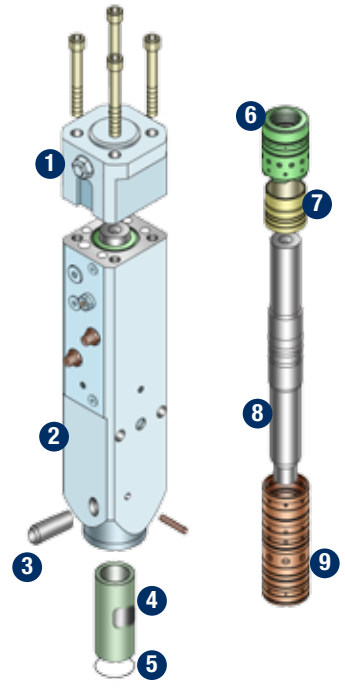
### Features and Benefits:

- › Mono-block design with only two moving parts reduces maintenance
- › No Through-bolts to maintain or diaphragm to replace
- › Replaceable front wear bushing keeps tools at peak performance
- › Wide oil flow range for fast, hard-hitting performance and more carrier options
- › A variety of mounting options that can accommodate any carrier or application
- › Oval retaining pin for increased steel contact and double service life



FRD's numerous mounting options include configurations (pin-on and quick-hitch adaptable) that allow fast and easy change between skid steer loaders and mini-excavators.

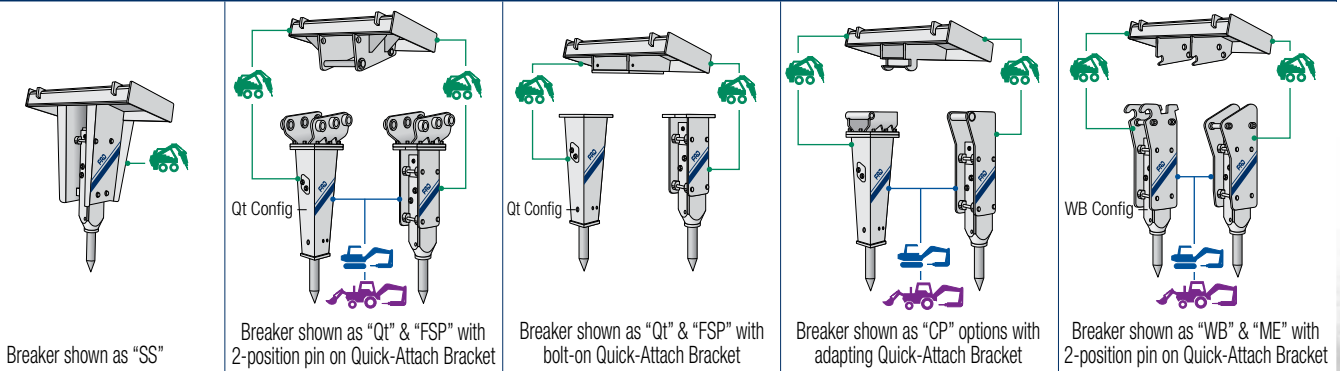
IMPACT ENERGY "CLASS"	Fx45a - 550 ft lb	Fx55a - 800 ft lb
<b>Weight in lbs (kg)*</b>		
SS configuration	784 (356)	840 (381)
FSP configuration**	606 (275)	714 (324)
Qt configuration**	550 (250)	720 (327)
<b>Length in inches (mm)*</b>		
SS configuration	57.5 (1461)	61 (1549)
FSP configuration**	54 (1372)	60 (1524)
Qt configuration**	52.75 (1340)	57.5 (1461)
<b>Working Steel***</b>		
Diameter in inches (mm)	2.36 (60)	2.68 (68)
Replaceable length measured from fronthead in inches (mm)	9.5 (240)	10 (250)
<b>General Specifications</b>		
Blows per minute (variable)	600 ~ 1100	500 ~ 1000
Oil flow range gpm (lpm)	7.9 ~ 15.8 (30 ~ 60)	10.5 ~ 22.5 (40 ~ 85)
Operating pressure psi (MPa)	1740 ~ 2320 (12 ~ 16)	1740 ~ 2320 (12 ~ 16)
Qt configuration; 85 dB(A) @	7.5m	8.0m
Recommended Carrier Range in U.S. tons	2.75 ~ 6.1	4.4 ~ 7.7
Carrier Options		



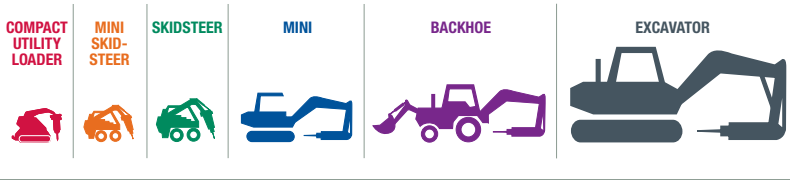
- 1. Back Head
- 2. Mono-Block Cylinder
- 3. Oval Retainer Pin
- 4. Front Bushing
- 5. Top & Bottom O-Rings
- 6. Seal Retainer
- 7. Valve
- 8. Piston
- 9. Cylinder Liner

**Notes** \* Weights and lengths for all configurations include standard Working Steel (less mounting & Hose Whips)  
 \*\* Weights and lengths for FSP's & Qt's include a Universal Top Cap (less mounting & Hose Whips)  
 \*\*\* All working steels are interchangeable with the previous F-Series and Fx-Series

## MOUNTING OPTIONS



## CARRIER OPTIONS



www.frdusa.com

**CORPORATE HEADQUARTERS**  
 711 Lake Street Kent, OH 44240  
 Ph: 330-673-5826  
 Fax: 330-677-1616  
 Toll Free: 1-800-527-2282

**SOUTHEAST SALES AND SERVICE FACILITY**  
 155 Dexter Road  
 Spartanburg, SC 29303  
 Ph: 864-541-0125